

**CENTRAL  
FABRICATORS®**  
**MATERIAL CLAMP**



PRODUCTIVE

COST-EFFECTIVE

MANEUVERABLE

VERSATILE

**EXCAVATOR ATTACHMENTS**



## ADVANTAGES:

- Choice of three tine styles for different applications, and correct bucket tooth and clamp interface
- Hydraulic cylinder is cushioned on both ends
- The CF clamp allows the CF bucket to retain the use of the anticlatter bushing and shim pack
- Clamp is constructed of alloy steel (A514 material)
- Clamp utilizes induction hardened pins and heat treated bushings at all pivot points
- Clamp arm can be designed for use with CF Quick Latch
- Clamp comes complete with installation and mounting instructions
- Shot blasted and painted to OEM paint specifications
- CF log-style buckets are available for use with material clamp

## Central Fabricators Linkage

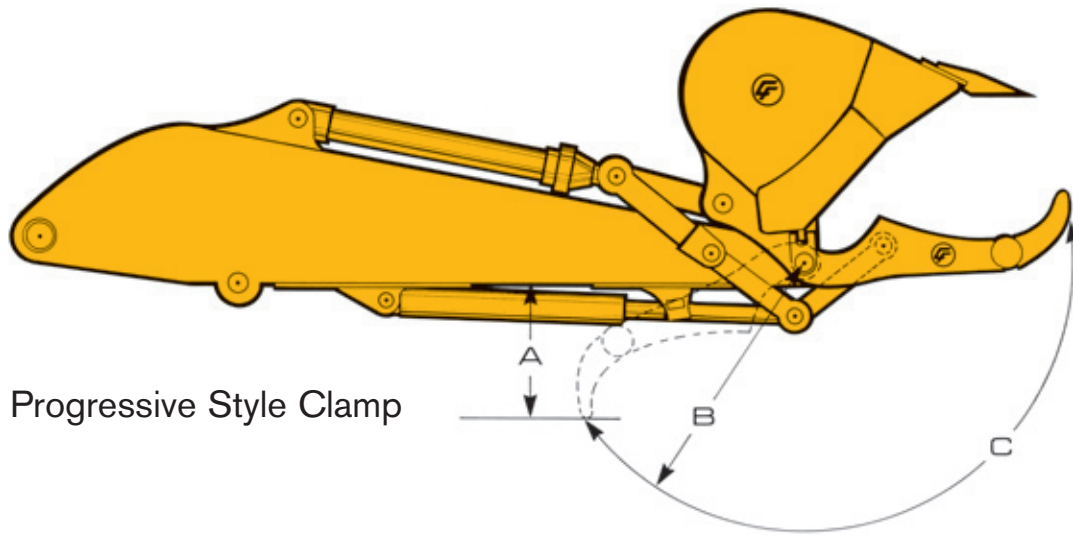
Central Fabricators' material clamp is engineered for use with the full line of CF quality excavator buckets. These clamps are available with progressive linkage, or direct cylinder hook-up.

A choice of three clamp tine styles are available, and are used with the standard OEM bucket ear group.

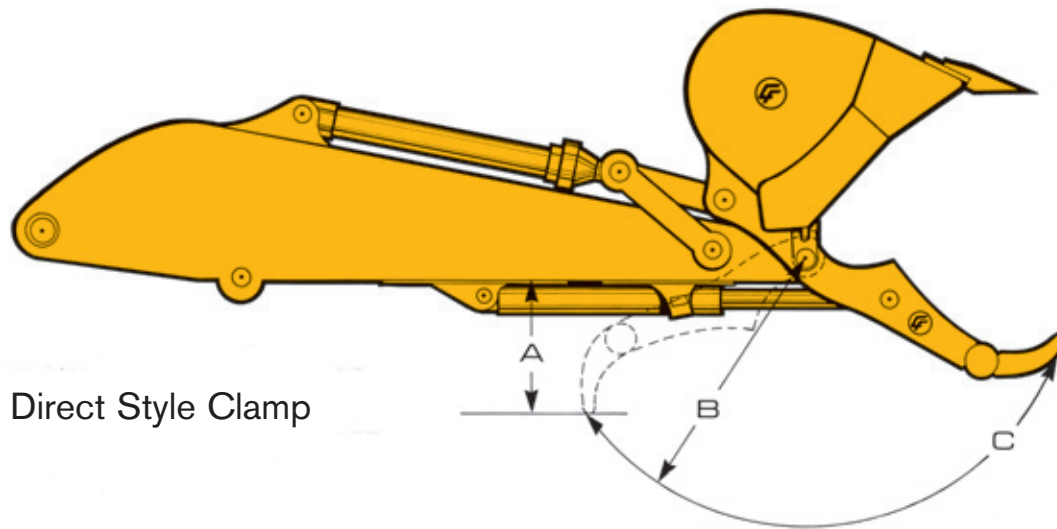


**Customer Satisfaction is our #1 Priority**





Progressive Style Clamp



Direct Style Clamp

### Tine Styles



Standard



Pad



Demolition

### Material Clamp Specifications

Excavator Weight Class	CF Desig.	Clamp Style	"A" Retract Clearance	"B" Tip Radius	"C" Rotation Degrees	MIN. Bucket Width	# of Tines	MAX. Clamp Force (lbf@tip)	Clamp Weight
25,000#	MC1	Direct	24.8"	48.1"	122°	30"	2-6	13,000#	750#
		Progressive Link	24.8"	48.1"	154-159°	30"	2-6	11,250#	1050#
35,000#	MC2	Direct	26.2"	52.6"	123°	32"	2-6	16,850#	904#
		Progressive Link	26.2"	52.6"	144°	32"	2-6	15,400#	1100#
45,000#	MC3	Direct	28.6"	55.5"	123°	34"	2-6	20,200#	1090#
		Progressive Link	28.6"	55.5"	145-150°	34"	2-6	18,200#	1200#
52,000#	MC4	Direct	30.9"	59.6"	119°	36"	2-6	23,700#	1308#
		Progressive Link	30.9"	59.6"	137-139°	36"	2-6	21,550#	1610#
70,000#	MC5	Direct	32.7"	63.7"	120°	40"	2-6	28,500#	1544#
		Progressive Link	32.0"	63.7"	142°	40"	2-6	25,900#	1920#
99,000#	MC6	Direct	34.6"	71.5"	127°	42"	2-6	34,750#	2189#
		Progressive Link	34.6"	71.5"	149-151°	42"	2-6	31,750#	2720#

# WOODS CONSTRUCTION EQUIPMENT

Tools for productivity



Woods® multi-purpose loader buckets  
hydraulic couplers  
compactors  
Gannon® industrial box scrapers



jaw grapple



Wain-Roy® quick change  
swinger couplers  
buckets  
ripper buckets  
loader backhoe buckets



skid steer

CF® excavator buckets



mining buckets  
attachments  
landscape tools  
backhoes  
cold planers



Alitec® vibratory rollers  
stump grinder

WoodsCare™  
genuine  
repair parts



We manufacture a world of tools to make you more productive. WoodsConstruction™ supplies buckets, coupler systems, and other attachments for construction applications.

WoodsAgricultural™ offers tractor-powered productivity tools for cutting, shredding, and specialty agricultural applications.

WoodsLandscape™ provides tractor and self-powered tools for mowing, landscaping, and general grounds care.

WoodsCare™ provides parts and services for the total ongoing care of your Woods equipment.

WoodsTisco™ supplies a comprehensive line of aftermarket replacement parts and accessories.

For more information: 1-800-848-3447

## Woods Equipment Company

351 Alderson St., P.O. Box 440  
Schofield, Wisconsin 54476-0440

715-359-4455 tel  
715-359-9537 fax  
800-782-5454 U.S. & Canada  
www.woodsonline.com



WARNING! Some illustrations may show safety shields removed to provide a better view. Equipment should never be operated with any safety shielding removed. Some machines in this catalog are shown with optional equipment. Always operate machines in accordance with supplied operating manuals. Specifications are subject to change without notice. Woods, the Woods logo, Central Fabricators, and the CF logo are trademarks of Woods Equipment Company. ©2002 Woods Equipment Company. All rights reserved. B-06023-PR (Rev. 04/03)